

*The*  
**Storehouse**  
**Plank**  
*Collection*



RealWoodFloors

Keg WHITE OAK



# RealWoodFloors

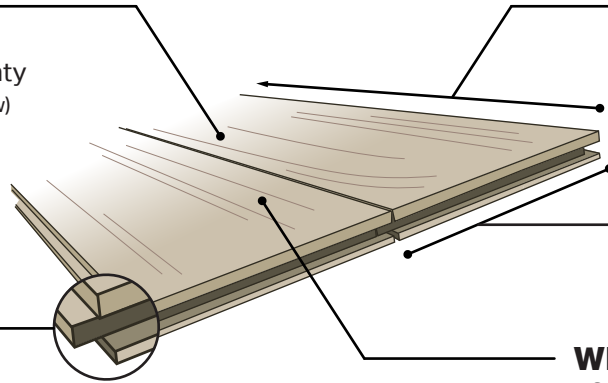
# The Storehouse Plank Collection

### BEAUTY + BRAWN

- Ultra Matte UV Oil Finish
- 50 Year Limited Residential Warranty (\*see below)

### GO LONG!

- Variable Lengths up to 7'
- Exceeds Industry Standard



**5" WIDE PLANK**

### ROUGH HEWN

- Brushed to Reveal Authentic Grain
- Weathered and Reclaimed Texture With Distinct Milling and Saw Marks
- Intentionally Milled to Varied Thicknesses

### WELL BUILT

- 3/4" Thick Profile
- **Solid Tongue & Groove Hardwood**
- Highest Caliber Precision Milling

\* Like all variable gauge floors, it is possible for the finish on Storehouse Plank to experience accelerated wear at the edges where thicker flooring is exposed to lateral contact. This is normal and expected, and not covered by the finish warranty. The finish on Storehouse Plank is designed to meet our strictest specifications and is expected to give maximum protection to the floor for 50 years.



Drum WHITE OAK



Coffer WHITE OAK



Bushel WHITE OAK



Crate HICKORY



Parcel WHITE OAK



Cask WHITE OAK



Keg HICKORY



Barrel HICKORY

### Solidly Crafted, Aged To Perfection

In generations past, storehouses and utility buildings were built with rough milled hardwood lumber, valued for its strength and durability. Now, time and use have revealed the inherent beauty within, displaying the authentic honesty of real wood. The Storehouse Plank Collection captures the centuries of aged perfection in every solid plank.

© 2015 Real Wood Floors

### \* DIVERSE PALETTE \*

Significant variation in color, contrast and texture are intentional and to be expected.

### Trim Options



T-Molding



Reducer



Threshold



Stair Nosing

84" long

All trim pieces crafted to match species and color