

The
**Eighteen-
Seventy-Five**
Collection



RealWoodFloors

Surrey



RealWood Floors

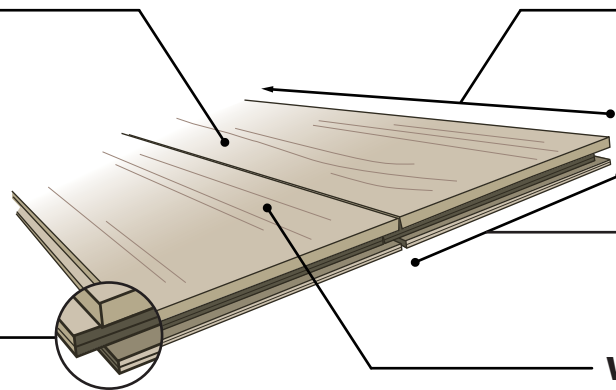
The Eighteen Seventy-Five Collection

BEAUTY + BRAWN

- Easy Clean, Satin Matte Finish
- 25 Year Residential Warranty
- Weathered Textures and Gently Brushed Grain

GO LONG!

- Variable Lengths up to 6'
- Exceeds Industry Standard



6" WIDE PLANK

MULTI-PLY CORE

- Versatile Installation Capabilities
- Engineered for Maximum Stability
- Renewably Sourced Core Material
- Cross Directional Hardwood Substrate

WELL BUILT

- 3/8" Thick Profile
- 1.5mm Sliced Hardwood Veneer
- Highest Caliber Precision Milling



Brunel

WHITE OAK



Putney

WHITE OAK



Wandsworth

WHITE OAK



Thames

WHITE OAK



Surrey

WHITE OAK



Doddington

MAPLE



Westminster

MAPLE



Fairfield

MAPLE

A Good Year for Flooring. A Great Floor for You.

In early 19th century London, Marc Brunel pioneered a new technique for slicing veneers from hardwood lumber. This process of making veneer, perfected in 1875, maximizes efficiency while preserving the natural grain of the lumber, making it the most beautiful and economical way to build an engineered floor. To celebrate this marvel of engineering, Real Wood Floors offers The Eighteen Seventy-Five Collection.

© 2017 Real Wood Floors

Installation Options



Glue Down



Staple



Float

Trim Options



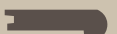
T-Molding



Reducer



Threshold



Stair Nosing

All trim pieces crafted to match species and color